

TK

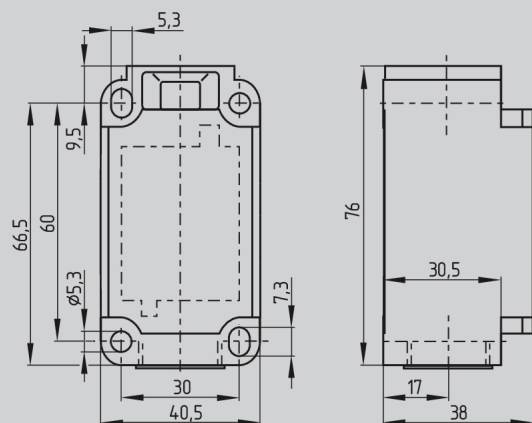
Door contact for industrial air curtains

The door contact is connected to the control components of the air curtain and enables automatic operation depending on the door status.

In automatic mode, the contact activates the air curtain when the door is opened and switches it off again automatically when it is closed.

Technical data	
Thermal continuous current	10 A
Conditional rated short-circuit current	1000 A
Voltage, usage category AC-15	230 VAC
Electricity, usage category AC-15	4 A
Voltage, usage category DC-13	24 VDC
Electricity, usage category DC-13	4 A
Switching element	Normally open (NO), normally closed (NC)
Switching principle	Jump switch
Maximum switching frequency	5,000/h
Switchover time	max. 2 ms

Base unit



Actuator

