

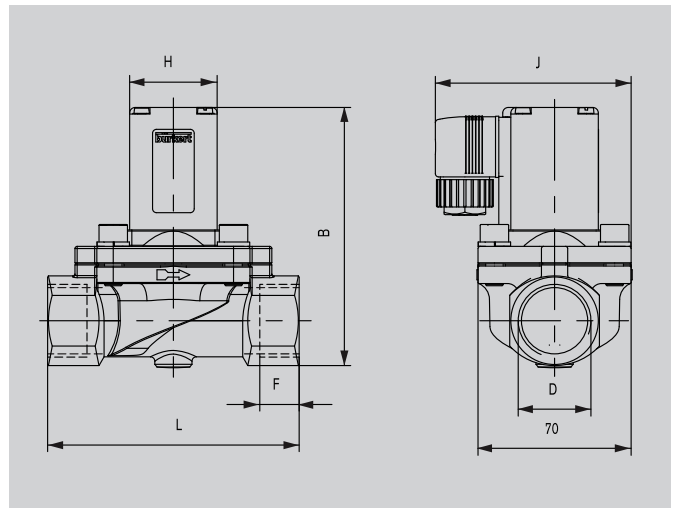


MV

Solenoid valve for automatic water shut-off during summer operation

The solenoid valve is used for automatic water shut-off during summer operation of an air curtain. This allows the air curtain to be used in ambient mode without water heating during the warmer months.

The valve is controlled via the Teddington control board. In winter mode, a 230 V supply is applied and the valve remains open. In summer mode, the voltage is switched off, the valve closes and reliably interrupts the water supply.



Technical data	DN20	DN25	DN32
Pressure range	0-16 bar	0-16 bar	0-12 bar
Media temperature	-30 °C to max. 120 °C	-30 °C to max. 120 °C	-30 °C to max. 120 °C
Sealing material	EPDM	EPDM	EPDM
Connection voltage	230 V	230 V	230 V
Kvs value	5 m³/h	10 m³/h	16 m³/h
Dimension D	G 3/4	G 1	G 1 1/4
Dimension B	122 mm	131 mm	145 mm
Dimension E	60 mm	70 mm	85 mm
Dimension F	16 mm	18 mm	20 mm
Dimension H	49 mm	49 mm	49 mm
Dimension J	86.5 mm	91.5 mm	99 mm
Dimension L	100 mm	115 mm	126 mm